

WH8000

Spheroidal graphite iron structure
Ratio 30 :1

Reduction unit with worm wheel and irreversible worm-screw. Reverse motion is possible only when the operator pulls the operating lever. Therefore this reduction system requires no brakes.

Manual drum clutch for drum engagement – disengagement

1st cable layer line pull: 24000 kg

1st cable layer pulling capacity measured by dynamometer: 8000 kg

Available in long (L) and short (C) drum versions

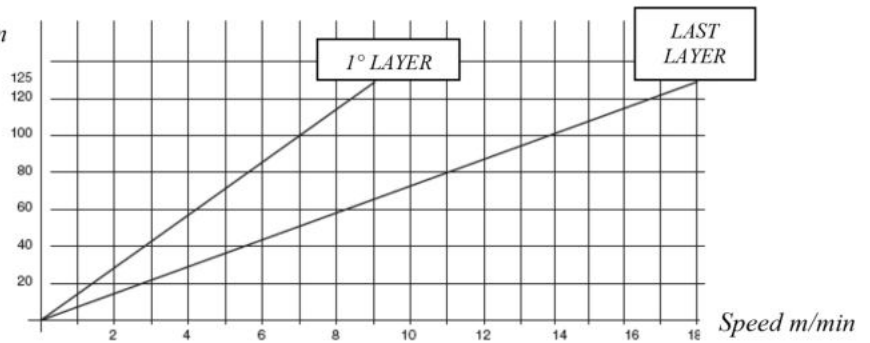
Zinc-plated steel cable guide with sliding rollers for long drum version

Recommended cable (extra): Ø 16 mm - max. cable capacity: 70 m (L) / 45 m (C)

Total weight without cable: 205 kg

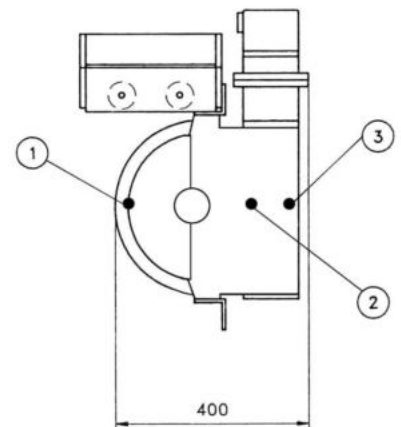
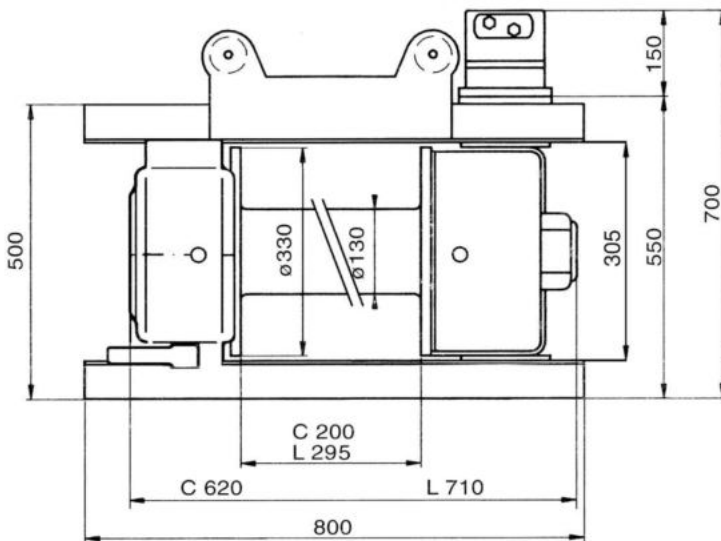
Cable winding speed diagram

Flow rate l/min



Relief valve setting:
200 bar

Suggested flow to the motor:
100 l/min



CABLE LAYER	PULLING CAPACITY MEASURED BY DYNAMOMETER*	CABLE LENGTH
1 st	8000 kg	7,5 m (L) / 5,1 m (C)
2 nd	6580 kg	16,8 m (L) / 11,5 m (C)
3 rd	5600 kg	28,0 m (L) / 19,1 m (C)
4 th	4860 kg	41,0 m (L) / 28,0 m (C)
5 th	4300 kg	55,9 m (L) / 38,1 m (C)
6 th	3860 kg	72,6 m (L) / 49,5 m (C)

- 1 - Oil filling plug
- 2 - Oil level plug
- 3 - Oil drain plug

* Line pull on a flat surface on free wheels is about 3 times as the pulling capacity measured by dynamometer